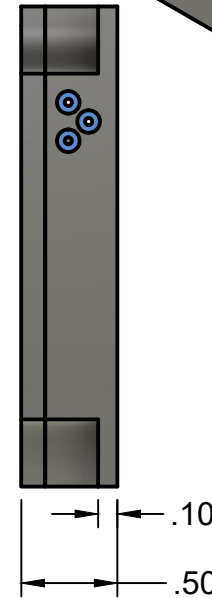
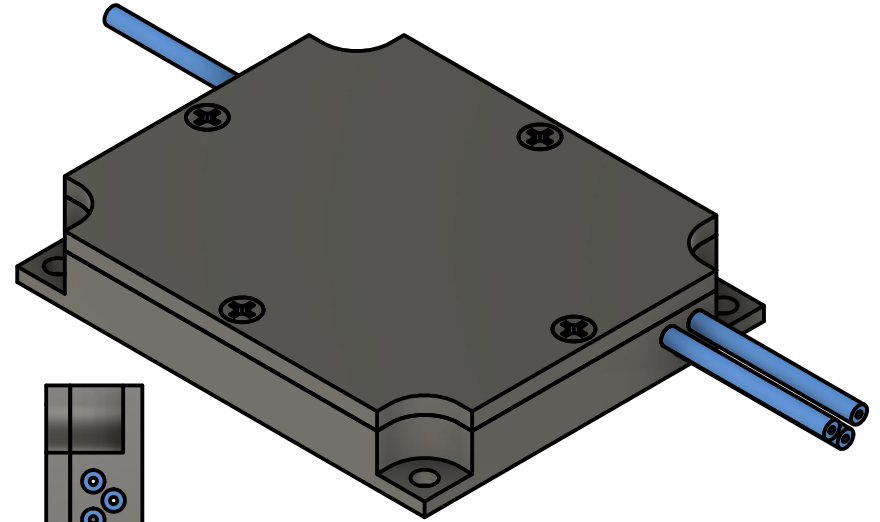
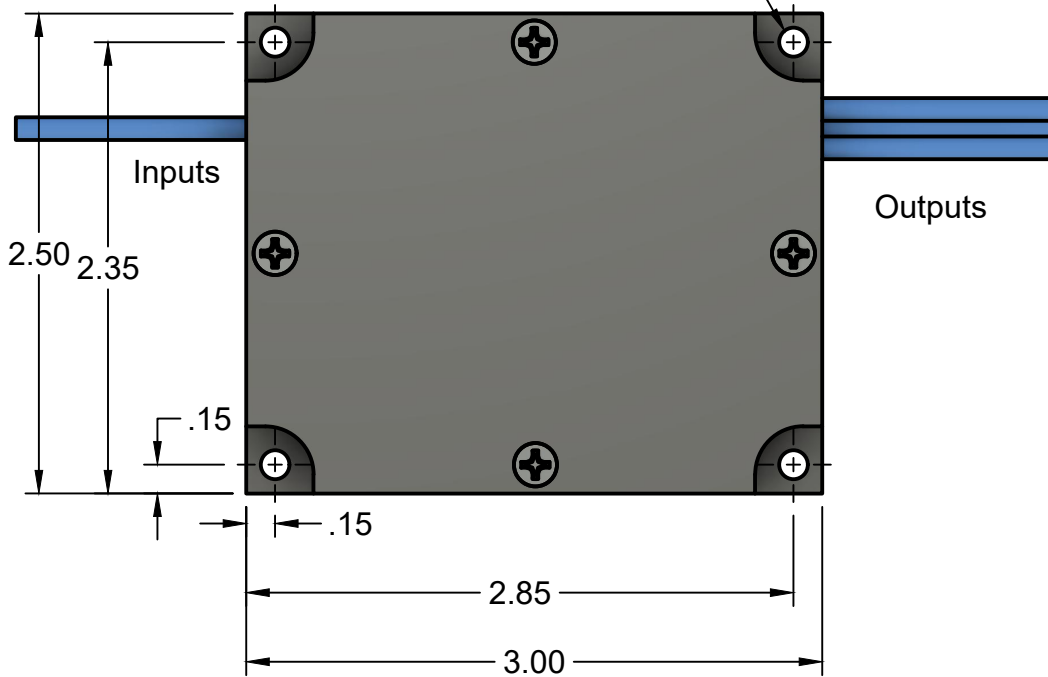




4X Ø.15 THRU  
Clearance for #6-32



Note 1: Typical 1X3 configuration shown.

Tolerances (angular and linear)  
(Except where stated)  
.XXX ± .002"  
.XX ± .005"  
.X ± .010"  
Angular ± 0.50°  
All units in Std. inch

*Evanescent Optics Inc.*

3325 North service Road, Burlington Ontario Canada L7N 3G2.  
Tel: +1(905)336-2626

Material: ----	Drawn by: Marc Meuris	Project: EOI PROJECTS	Rev:
Surface Finish Ra < 63	Approved by:	Part name: 2.5 x 3.0 base 3mm Sleevng v14	Size: A
Drawn for reference only	Date: 5/09/24	Part number: 2.5 x 3.0 base 3mm Sleevng	Scale: 1:1
		Quantity:	Sheet: 1/1

